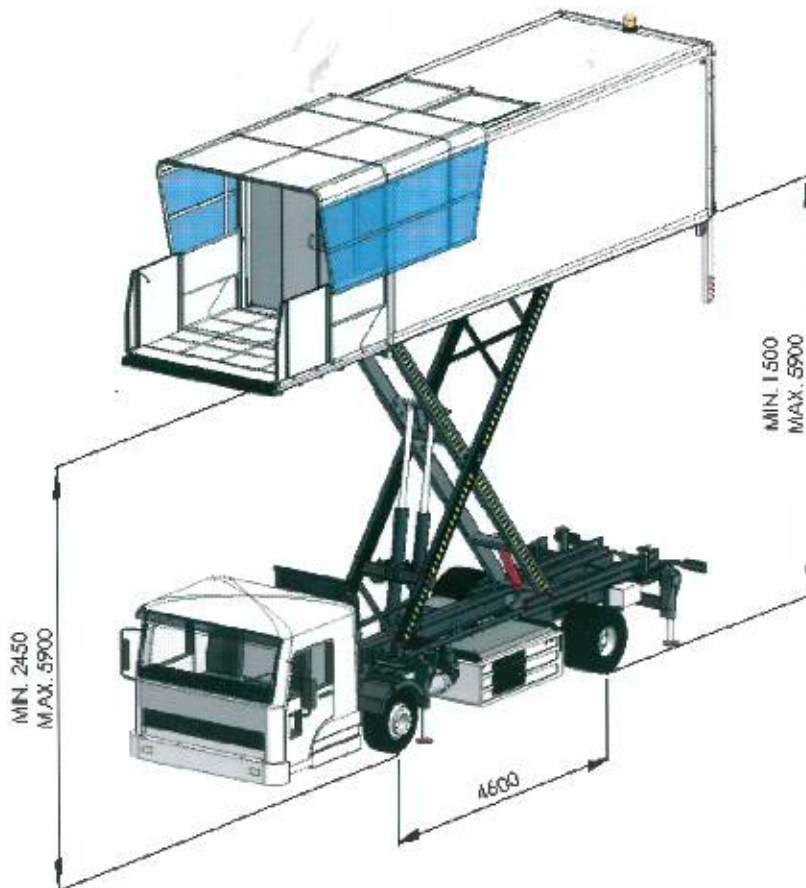
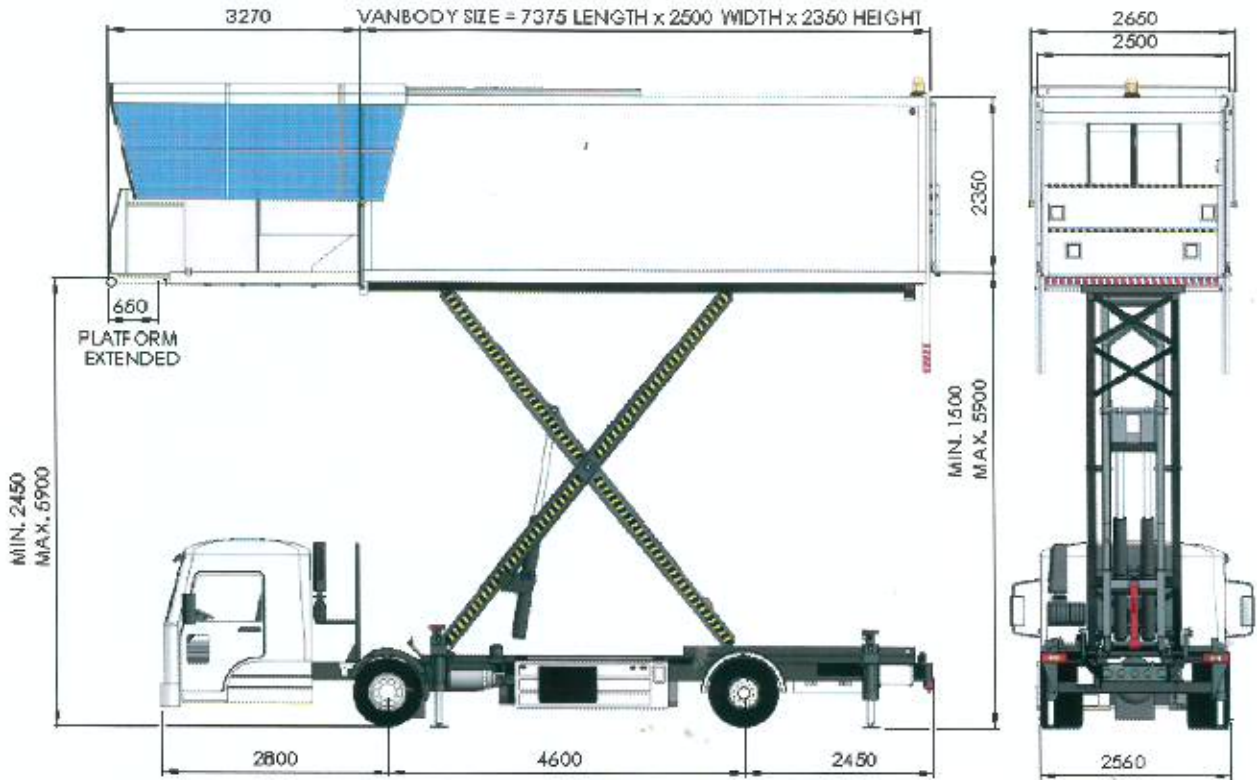


**GENERAL LAYOUT OF  
THE AEROMOBILES DROP CAB HI-LIFT**



### 3 SPECIFICATIONS

| AEROMOBILES DROP CAB HI- LIFT |                                |  |                                      |                |
|-------------------------------|--------------------------------|--|--------------------------------------|----------------|
| Model                         |                                | AEROLIFT -O-VO/FL616H  |                                      |                |
| Serial No.                    |                                | C101-03/FL616H 419229<br>C101-04/FL616H 418786<br>C101-05/FL616H 419239<br>C101-06/FL616H 418937 |                                      |                |
| Manufacturing Date            |                                | Feb 2006   |                                      |                |
| A.                            | Maximum Payload                | Vanbody  | 4000 kg                              |                |
|                               |                                | 2-Way Platform (Main)  | 900 kg                               |                |
|                               |                                | 2-Way Platform (Ext.)  | 450 kg                               |                |
|                               |                                | Tailgate   | 400 kg                               |                |
| B.                            | Maximum Service Height         |  | 5900 mm                              |                |
| C.                            | Minimum Service Height         |  | 2450 mm                              |                |
| D.                            | Dimensions                     | 1.   | Overall Length                       | 9935 mm        |
|                               |                                | 2.   | Overall Width                        | 2560 mm        |
|                               |                                | 3.   | Overall Height<br>(Excluding Beacon) | 3950 mm        |
| E.                            | Vanbody External<br>Dimensions | 1.   | Overall Length                       | 7375 mm        |
|                               |                                | 2.   | Overall Width                        | 2500 mm        |
|                               |                                | 3.   | Overall Height<br>(Internal)         | 2350 mm        |
| F.                            | 2-Way Platform<br>Dimensions   | 1.   | Main                                 | 2440 x 2500 mm |
|                               |                                | 2.   | Extension                            | 2474 x 2470 mm |
| G.                            | Tailgate Dimensions            | 1.   | Length x Width                       | 1200 x 2300 mm |

|    |                     |    |                               |                                      |
|----|---------------------|----|-------------------------------|--------------------------------------|
| H. | Truck Cab & Chassis | 1. | Manufacturer                  | Volvo                                |
|    |                     | 2. | Model No.                     | FL 642R 16L                          |
|    |                     | 3. | Chassis No.                   | 419229<br>418786<br>419239<br>418937 |
|    |                     | 4. | Wheelbase                     | 4600 mm                              |
|    |                     | 5. | Gross Vehicle Weight<br>(GVW) | 16000 kg                             |
|    |                     | 6. | Fuel Tank Capacity            | Approximately 200 litres             |
| I. | Engine              | 1. | Manufacturer                  | Volvo                                |
|    |                     | 2. | Model                         | D6B 220                              |
|    |                     | 3. | Serial No.                    | 203783                               |
| J. | Transmission        |    |                               | Allison                              |
| K. | Tires               | 1. | Type                          | 285/70R19.5                          |
|    |                     | 2. | Diameter                      | 19.5"                                |
| L. | PTO – Type          |    |                               | Hot Shift                            |
| M. | Hydraulic System    | 1. | Maximum Working<br>Pressure   | 2000 psi                             |
|    |                     | 2. | Pump – Type/ Make             | Gear Type                            |
|    |                     | 3. | Displacement/ Rev             | 0.0367 litres                        |
|    |                     | 4. | Hydraulic Tank<br>Capacity    | 120 litres                           |
| N. | Electrical System   |    |                               | 24V DC                               |



# DROP CAB HI-LIFT

